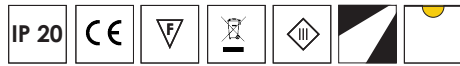


Aloe / R Surface



A surface mounted fixture, designed for indoor spaces in a round die cast aluminum housing. Aloe has a bi-directional mechanism. The high-brilliance spherical reflector delivers maximum lamp performance, as it creates a neutral color rendering.



Luminaire

Product type	Downlight
Material	Diecast Aluminum / PMMA Cover
Finish	White, Grey, Black, Custom
Maximum rotation	355°
Maximum tilt	90°

Installation

Environment	Indoor
Ceiling Type	Gypsum, wood
Mounting	Surface Mounted
Dimensions (ø - H)	85mm - 95.5mm
IP	20

Light Source

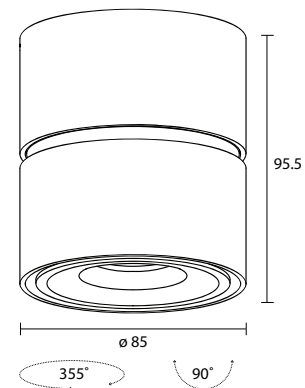
Lumen output	From 1360lm to 1820lm
Power	12W

Optics

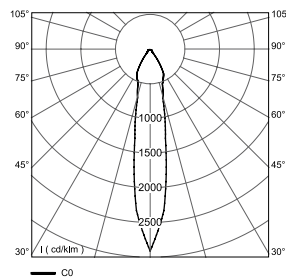
Light controller type	Reflector
Light emission beam	20°, 40°, 60°
CRI	80+ , 90+

Electrical Equipment

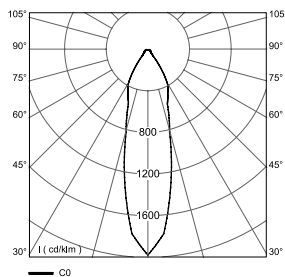
Mains voltage (V)	24
Dimming Type	On/Off, Dali, 1-10V, Phase Dimming



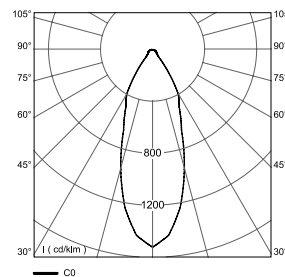
Polar Curves & LOR



Beam Angle 20°
LOR: 71%



Beam Angle 40°
LOR: 72%



Beam Angle 60°
LOR: 74%

Aloe / R Surface



Product Reference:

Designation	CCT	LED Luminous Output		Product Code*
		Power 12W		
		CRI		
		80	90	
AP08U	2700 K	1630lm	1360lm	AP08U.A27.B.CDE
AP08U	3000 K	1695lm	1415lm	AP08U.A30.B.CDE
AP08U	4000 K	1760lm	1515lm	AP08U.A40.B.CDE
AP08U	5000 K	1820lm	1535lm	AP08U.A50.B.CDE

* Check the below table to build the code

CRI	A	CCT	-	POWER	B	BEAM ANGLE	C	DIMMING	D	FINISH	E
80+	8	2700K	27	12W	12	20°	1	On/Off	1	Black	1
90+	9	3000K	30			40°	2	Dali	2	Grey	2
		4000K	40			60°	3	1-10V	3	White	3
		5000K	50					Phase	4	Custom	4

Product Code: