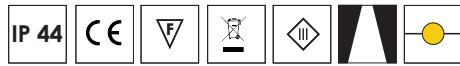


# Ivy / R Solo IP 44



A recessed fixture with a single spot, featuring a tiny aperture. Designed for indoor spaces in a 70 mm diameter die-cast aluminum housing. Ivy is designed to deliver a high level of glare-free visual comfort.



## Luminaire

Product type: Downlight  
 Material: Diecast Aluminum / PMMA Cover  
 Finish: White, Grey, Black, Custom

## Installation

Environment: Indoor  
 Ceiling Type: Gypsum, wood  
 Mounting: Recessed  
 Dimensions (ø-h): 70mm - 52mm  
 Cutout Dimensions (ø): 62mm  
 IP: 44

## Light Source

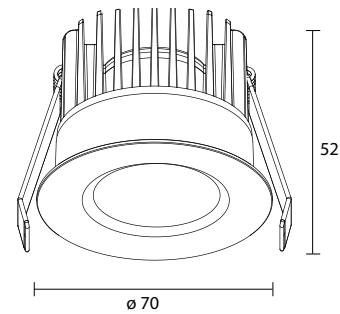
Lumen output: From 1200lm to 1820lm  
 Power: 9W, 12W

## Optics

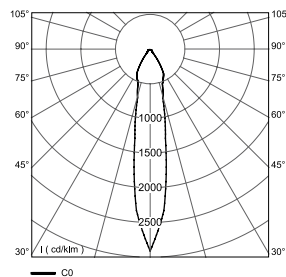
Light controller type: Reflector  
 Light emission beam: 15°, 25°, 38°, 60°  
 CRI: 80+, 90+

## Electrical Equipment

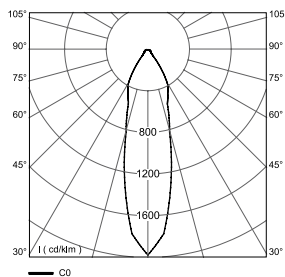
Mains voltage (V): 24  
 Dimming Type: On/Off, Dali, 1-10V, Phase Dimming



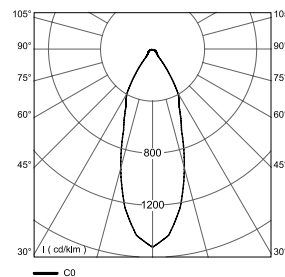
## Polar Curves & LOR



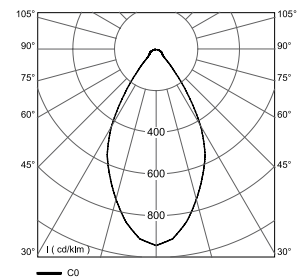
Beam Angle 15°  
LOR: 89%



Beam Angle 25°  
LOR: 90%



Beam Angle 38°  
LOR: 91%



Beam Angle 60°  
LOR: 92%

# Ivy / R Solo IP 44



## Product Reference:

Designation	CCT	LED Luminous Output				Product Code*
		Power 9W		Power 12W		
		CRI				
		80	90	80	90	
<b>IR07S</b>	<b>2700 K</b>	1200lm	1000lm	1630lm	1360lm	<b>IR07S.A27.B.CDE</b>
<b>IR07S</b>	<b>3000 K</b>	1250lm	1040lm	1695lm	1415lm	<b>IR07S.A30.B.CDE</b>
<b>IR07S</b>	<b>4000 K</b>	1300lm	1115lm	1760lm	1515lm	<b>IR07S.A40.B.CDE</b>
<b>IR07S</b>	<b>5000 K</b>	1340lm	1135lm	1820lm	1535lm	<b>IR07S.A50.B.CDE</b>

\* Check the below table to build the code

<b>CRI</b>	<b>A</b>	<b>CCT</b>	<b>-</b>	<b>POWER</b>	<b>B</b>	<b>BEAM ANGLE</b>	<b>C</b>	<b>DIMMING</b>	<b>D</b>	<b>FINISH</b>	<b>E</b>
80+	<b>8</b>	2700K	<b>27</b>	9W	<b>09</b>	15°	<b>1</b>	On/Off	<b>1</b>	Black	<b>1</b>
90+	<b>9</b>	3000K	<b>30</b>	12W	<b>12</b>	25°	<b>2</b>	Dali	<b>2</b>	Grey	<b>2</b>
		4000K	<b>40</b>			38°	<b>3</b>	1-10V	<b>3</b>	White	<b>3</b>
		5000K	<b>50</b>			60°	<b>4</b>	Phase	<b>4</b>	Custom	<b>4</b>

Product Code: