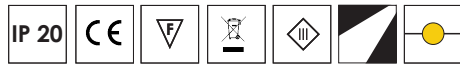


Odin / R Recessed Solo



A recessed fixture, with an extended adjustable light head, designed for indoor spaces in a round die cast aluminum housing.



Luminaire

Product type	Downlight
Material	Diecast Aluminum / PMMA Cover
Finish	White, Grey, Black, Custom
Maximum rotation	355°
Maximum tilt	90°

Installation

Environment	Indoor
Ceiling Type	Gypsum, wood
Mounting	Ceiling Recessed
Dimensions (ø - H)	52mm - 100mm
Cutout Dimensions (ø)	ø 80mm
IP	20

Light Source

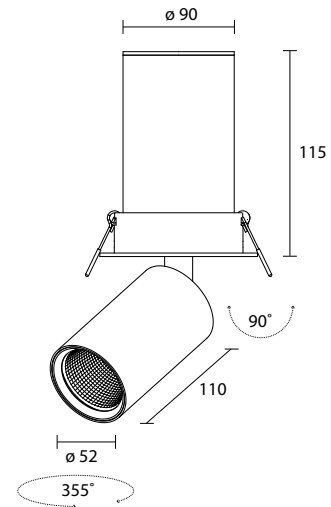
Lumen output	From 960lm to 1290lm
Power	8W

Optics

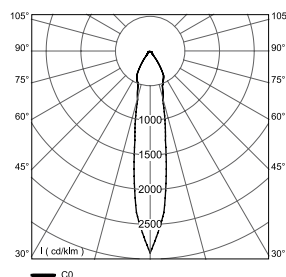
Light controller type	Reflector
Light emission beam	15°, 25°, 38°, 60°
CRI	80+ , 90+

Electrical Equipment

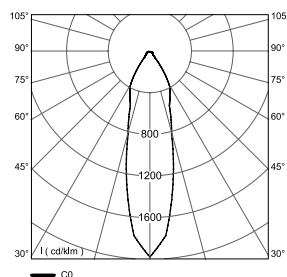
Mains voltage (V)	24
Dimming Type	On/Off, Dali, 1-10V, Phase Dimming



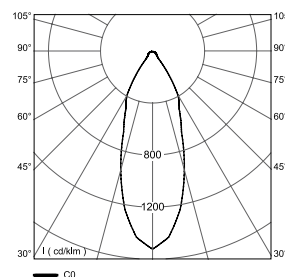
Polar Curves & LOR



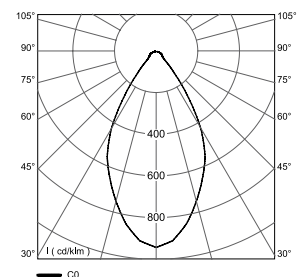
Beam Angle 15°
LOR: 64%



Beam Angle 25°
LOR: 65%



Beam Angle 38°
LOR: 68%



Beam Angle 60°
LOR: 70%

Odin / R Recessed Solo



Product Reference:

Designation	CCT	LED Luminous Output		Product Code*
		Power 8W		
		CRI		
		80	90	
OP0XS	2700 K	1150lm	960lm	OP0XS.A27.B.CDE
OP0XS	3000 K	1200lm	1000lm	OP0XS.A30.B.CDE
OP0XS	4000 K	1250lm	1070lm	OP0XS.A40.B.CDE
OP0XS	5000 K	1290lm	1090lm	OP0XS.A50.B.CDE

* Check the below table to build the code

CRI	A	CCT	-	POWER	B	BEAM ANGLE	C	DIMMING	D	FINISH	E
80+	8	2700K	27	8W	8	15°	1	On/Off	1	Black	1
90+	9	3000K	30			25°	2	Dali	2	Grey	2
		4000K	40			38°	3	1-10V	3	White	3
		5000K	50			60°	4	Phase	4	Custom	4

Product Code: