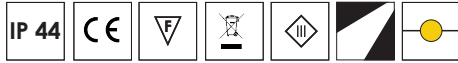


# Spirea / R Duo



A recessed fixture, with double gimbals that provide a bidirectional mechanism. Designed for indoor spaces in a die-cast aluminum housing. R Duo is designed to deliver a high level of glare-free visual comfort.



### Luminaire

Product type	Downlight
Material	Diecast Aluminum / PMMA Cover
Finish	White, Grey, Black, Custom
Maximum rotation	355°
Maximum tilt	30°

### Installation

Environment	Indoor
Ceiling Type	Gypsum, wood
Mounting	Recessed
Dimensions (L x W - H)	230mm x 120mm - 76mm
Cutout Dimensions (φ)	2 x 105mm
IP	44

### Light Source

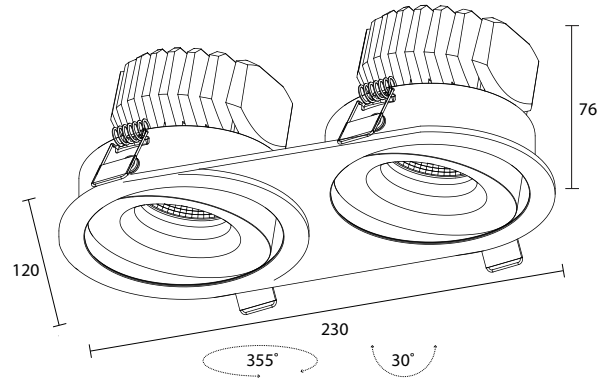
Lumen output	From 2000lm to 4880lm
Power	18W, 24W, 32W, 36W

### Optics

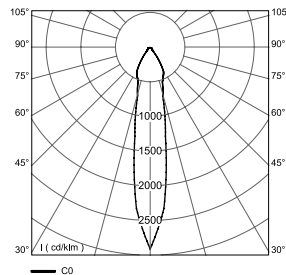
Light controller type	Reflector
Light emission beam	15°, 25°, 38°, 60°
CRI	80+, 90+

### Electrical Equipment

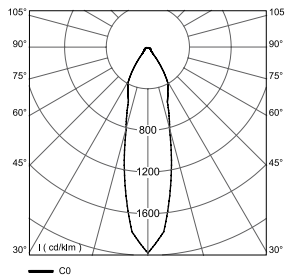
Mains voltage (V)	24
Dimming Type	On/Off, Dali, 1-10V, Phase Dimming



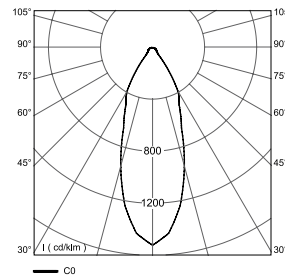
### Polar Curves & LOR



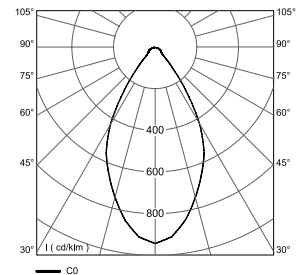
Beam Angle 15°  
LOR: 75%



Beam Angle 25°  
LOR: 79%



Beam Angle 38°  
LOR: 80%



Beam Angle 60°  
LOR: 82%

# Spirea / R Duo



**Product Reference:**

Designation	CCT	LED Luminous Output								Product Code*
		Power 9Wx2		Power 12Wx2		Power 16Wx2		Power 18Wx2		
		CRI								
		80	90	80	90	80	90	80	90	
<b>SR12D</b>	<b>2700 K</b>	2400lm	2000lm	3260lm	2720lm	3920lm	2730lm	4360lm	3630lm	<b>SR12D.A27.B.CDE</b>
<b>SR12D</b>	<b>3000 K</b>	2500lm	2080lm	3390lm	2830lm	4080lm	3400lm	4540lm	3800lm	<b>SR12D.A30.B.CDE</b>
<b>SR12D</b>	<b>4000 K</b>	2600lm	2230lm	3520lm	3030lm	4240lm	3650lm	4720lm	4050lm	<b>SR12D.A40.B.CDE</b>
<b>SR12D</b>	<b>5000 K</b>	2680lm	2270lm	3640lm	3070lm	4380lm	3700lm	4880lm	4110lm	<b>SR12D.A50.B.CDE</b>

\* Check the below table to build the code

CRI	A	CCT	-	POWER	B	BEAM ANGLE	C	DIMMING	D	FINISH	E
80+	8	2700K	27	18W	18	15°	1	On/Off	1	Black	1
90+	9	3000K	30	24W	24	25°	2	Dali	2	Grey	2
		4000K	40	32W	32	38°	3	1-10V	3	White	3
		5000K	50	36W	36	60°	4	Phase	4	Custom	4

**Product Code:**