

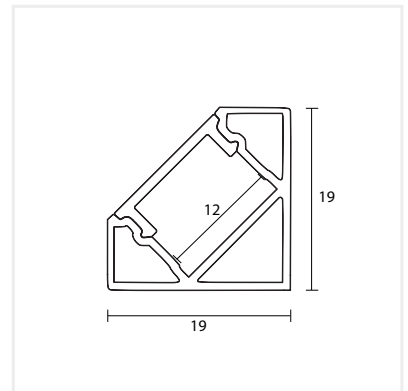
# Corner 19

Designed for various applications, the extruded anodized aluminum profile is durable and corrosion-resistant. The profile cover is high resistance polycarbonate with milky or clear finish.



## Specifications

Material	Aluminum
Body Finish	Anodized
Mounting Type	Corner
Cover	Milky / Clear
Dimensions (LxWxH)	2000 x 19 x 19mm
PCB Width Limit	12mm
Accessories	4 x Endcap 4 x Fit Clip



Cover Type	Product Code
Milky	<b>AP514M</b>
Clear	<b>AP514C</b>