

Surface / Pendant 20

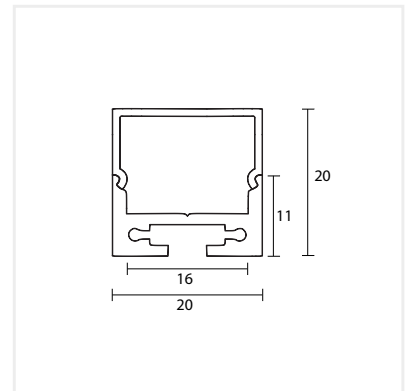


Designed for various applications, the extruded anodized aluminum profile is durable and corrosion-resistant. The profile cover is high resistance polycarbonate with milky or clear finish.



Specifications

Material	Aluminum
Body Finish	Anodized
Mounting Type	Surface Mounted / Pendant
Cover	Milky / Clear
Dimensions (LxWxH)	2000 x 20 x 20mm
PCB Width Limit	16mm
Accessories	4 x Endcap 4 x Suspension Kit 4 x Fit Clip



Cover Type	Product Code
Milky	AP523M

Clear	AP523C
-------	---------------

Accessory	Accessory Code
Suspension Kit*	AP-SKIT

*Suspension Kit to be ordered separately