

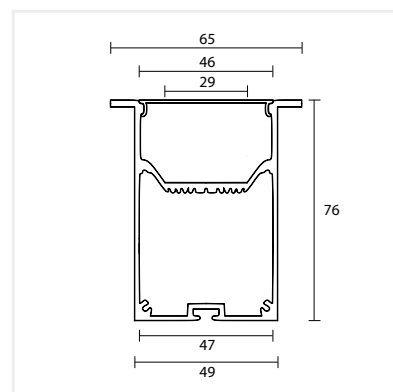
Recessed 65

Designed for various applications, the extruded anodized aluminum profile is durable and corrosion-resistant. The profile cover is high resistance polycarbonate with milky or clear finish.



Specifications

Material	Aluminum
Body Finish	Anodized
Mounting Type	Recessed
Cover	Milky / Clear
Dimensions (LxWxH)	2000 x 65 x 76mm
PCB Width Limit	-
Accessories	4 x Endcap 4 x Mounting Spring 2 x Alignment Bracket-Linear 2 x Alignment Bracket-Elbow



Cover Type	Product Code
Milky	AP6071M
Clear	AP6071C