

Surface / Pendant 35

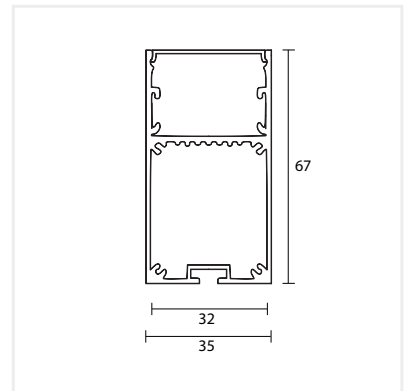


Designed for various applications, the extruded anodized aluminum profile is durable and corrosion-resistant. The profile cover is high resistance polycarbonate with milky or clear finish.



Specifications

Material	Aluminum
Body Finish	Anodized
Mounting Type	Surface Mounted / Pendant
Cover	Milky / Clear
Dimensions (LxWxH)	2000 x 35 x 67mm
PCB Width Limit	-
Accessories	4 x Endcap 4 x Suspension Kit 2 x Alignment Bracket-Linear 2 x Alignment Bracket-Elbow



Cover Type	Product Code
Milky	AP607AM

Clear	AP607AC
-------	----------------

Accessory	Accessory Code
Suspension Kit*	AP-SKIT

*Suspension Kit to be ordered separately