

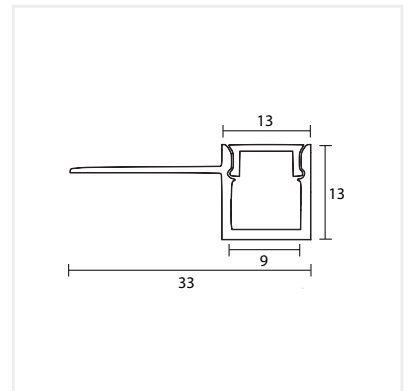
# Recessed 13

Designed for various applications, the extruded anodized aluminum profile is durable and corrosion-resistant. The profile cover is high resistance polycarbonate with milky or clear finish.



## Specifications

Material	Aluminum
Body Finish	Anodized
Mounting Type	Recessed
Cover	Milky / Clear
Dimensions (LxWxH)	2000 x 33 x 13mm
PCB Width Limit	8mm
Accessories	4 x Endcap



Cover Type	Product Code
Milky	<b>AP702AM</b>
Clear	<b>AP702AC</b>