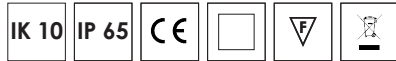


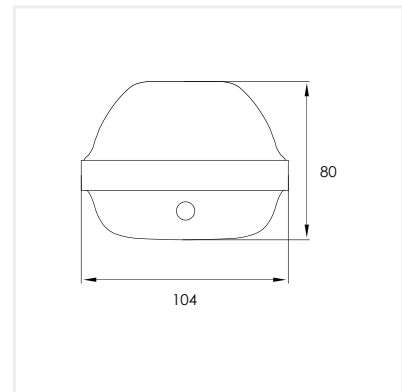
Flog / Maxi 150

Designed for rough environments that require high durability general lighting, providing uniform light distribution. The protected luminaire will resist humidity, water, dust, & extreme high/low temperatures.



Specifications

Material	Polycarbonate		
Mounting Type	Surface Mounted		
Dimensions (LxWxH)	1500 x 104 x 80mm		
Input Voltage	220-240V		
Power	50W		
CRI	70+		
CCT	3000K	4000K	6000K
Luminaire Lumen Output	4950lm	5000lm	5100lm



CCT	A	Motion Sensor	B	Emergency	C
3000K	30	Without	0	Without	0
4000K	40	With	1	1.5hrs	2
6000K	60			3hrs	3

Product Code

