

Canna / R Solo



A recessed fixture, featuring a deep aspect into the ceiling to create an illusion on the light source. Designed for indoor spaces in a die-cast aluminum housing. Canna is designed to deliver a high level of glare-free visual comfort.



Luminaire

Product type: Downlight
 Material: Diecast Aluminum / PMMA Cover
 Finish: White, Grey, Black, Custom

Installation

Environment: Indoor
 Ceiling Type: Gypsum, wood
 Mounting: Recessed
 Dimensions (ø-h): 92mm - 70mm
 Cutout Dimensions (ø): 85mm
 IP: 44

Light Source

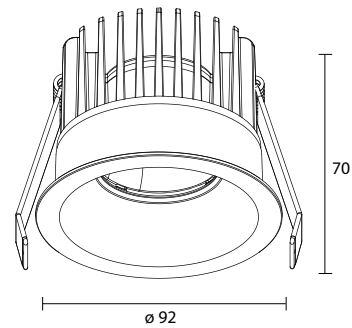
Lumen output: From 1000lm to 2440lm
 Power: 9W, 12W, 16W, 18W

Optics

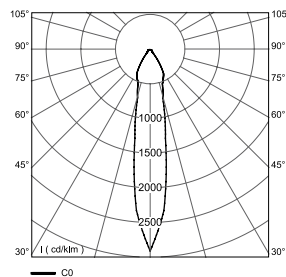
Light controller type: Reflector
 Light emission beam: 15°, 25°, 38°, 60°
 CRI: 80+, 90+

Electrical Equipment

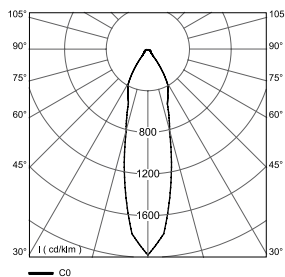
Mains voltage (V): 24
 Dimming Type: On/Off, Dali, 1-10V, Phase Dimming



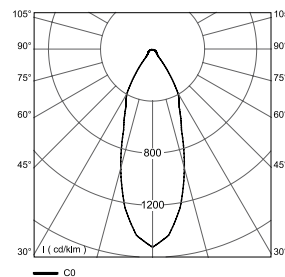
Polar Curves & LOR



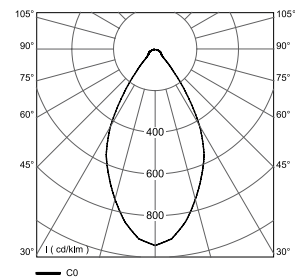
Beam Angle 15°
LOR: 75%



Beam Angle 25°
LOR: 79%



Beam Angle 38°
LOR: 80%



Beam Angle 60°
LOR: 81%

Canna / R Solo



Product Reference:

| Designation | CCT | LED Luminous Output | | | | | | | | Product Code* |
|--------------|---------------|---------------------|--------|-----------|--------|-----------|--------|-----------|--------|------------------------|
| | | Power 9W | | Power 12W | | Power 16W | | Power 18W | | |
| | | CRI | | | | | | | | |
| | | 80 | 90 | 80 | 90 | 80 | 90 | 80 | 90 | |
| CR09S | 2700 K | 1200lm | 1000lm | 1630lm | 1360lm | 1960lm | 1365lm | 2180lm | 1815lm | CR096.A27.B.CDE |
| CR09S | 3000 K | 1250lm | 1040lm | 1695lm | 1415lm | 2040lm | 1700lm | 2270lm | 1900lm | CR096.A30.B.CDE |
| CR09S | 4000 K | 1300lm | 1115lm | 1760lm | 1515lm | 2120lm | 1825lm | 2360lm | 2025lm | CR096.A40.B.CDE |
| CR09S | 5000 K | 1340lm | 1135lm | 1820lm | 1535lm | 2190lm | 1850lm | 2440lm | 2055lm | CR096.A50.B.CDE |

* Check the below table to build the code

| CRI | A | CCT | - | POWER | B | BEAM ANGLE | C | DIMMING | D | FINISH | E |
|-----|---|-------|----|-------|----|------------|---|---------|---|--------|---|
| 80+ | 8 | 2700K | 27 | 9W | 09 | 15° | 1 | On/Off | 1 | Black | 1 |
| 90+ | 9 | 3000K | 30 | 12W | 12 | 25° | 2 | Dali | 2 | Grey | 2 |
| | | 4000K | 40 | 16W | 16 | 38° | 3 | 1-10V | 3 | White | 3 |
| | | 5000K | 50 | 18W | 18 | 60° | 4 | Phase | 4 | Custom | 4 |

Product Code: