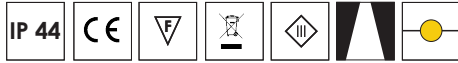


# Iris / R Solo IP 44



A recessed fixture with a single spot, featuring a tiny aperture. Designed for indoor spaces in a 70 mm diameter die-cast aluminum housing. Ivy is designed to deliver a high level of glare-free visual comfort.



## Luminaire

Product type: Downlight  
 Material: Diecast Aluminum / PMMA Cover  
 Finish: White, Grey, Black, Custom

## Installation

Environment: Indoor  
 Ceiling Type: Gypsum, wood  
 Mounting: Recessed  
 Dimensions (ø-h): 60mm - 45mm  
 Cutout Dimensions (ø): 54mm  
 IP: 44

## Light Source

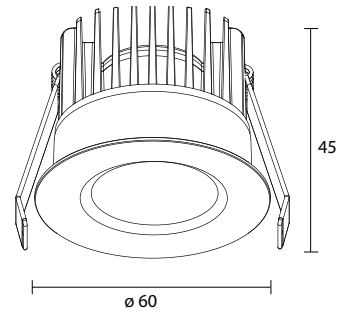
Lumen output: From 940lm to 1335lm  
 Power: 9W

## Optics

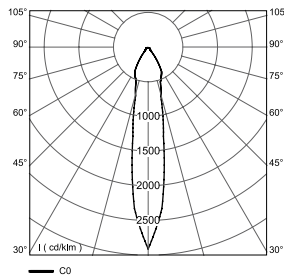
Light controller type: Reflector  
 Light emission beam: 15°, 25°, 38°  
 CRI: 80+, 90+

## Electrical Equipment

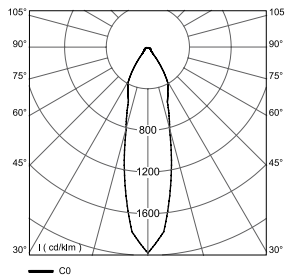
Mains voltage (V): 24  
 Dimming Type: On/Off, Dali, 1-10V, Phase Dimming



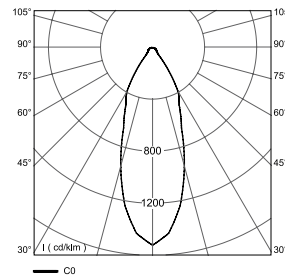
## Polar Curves & LOR



Beam Angle 15°  
LOR: 70%



Beam Angle 25°  
LOR: 72%



Beam Angle 38°  
LOR: 75%

# Iris / R Solo IP 44



## Product Reference:

Designation	CCT	LED Luminous Output		Product Code*
		Power 9W		
		CRI		
		80	90	
<b>IR06S</b>	<b>2700 K</b>	1125lm	940lm	<b>IR06S.A27.B.CDE</b>
<b>IR06S</b>	<b>3000 K</b>	1175lm	980lm	<b>IR06S.A30.B.CDE</b>
<b>IR06S</b>	<b>4000 K</b>	1225lm	1050lm	<b>IR06S.A40.B.CDE</b>
<b>IR06S</b>	<b>5000 K</b>	1335lm	-	<b>IR06S.A50.B.CDE</b>

\* Check the below table to build the code

<b>CRI</b>	<b>A</b>	<b>CCT</b>	<b>-</b>	<b>POWER</b>	<b>B</b>	<b>BEAM ANGLE</b>	<b>C</b>	<b>DIMMING</b>	<b>D</b>	<b>FINISH</b>	<b>E</b>
80+	8	2700K	27	9W	09	15°	1	On/Off	1	Black	1
90+	9	3000K	30			25°	2	Dali	2	Grey	2
		4000K	40			38°	3	1-10V	3	White	3
		5000K	50					Phase	4	Custom	4

Product Code: