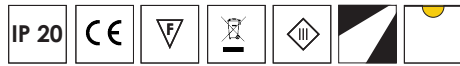


Odin / R Surface Solo



A surface mounted fixture, designed for indoor spaces in a round die cast aluminum housing. Odin has an extended light head, to tilt and turn in any direction. The fixture is available in 4 different sizes.



Luminaire

Product type	Downlight
Material	Diecast Aluminum / PMMA Cover
Finish	White, Grey, Black, Custom
Maximum rotation	355°
Maximum tilt	90°

Installation

Environment	Indoor
Ceiling Type	Gypsum, wood
Mounting	Surface Mounted
Dimensions (ø-H)	

Micro 52mm - 100mm (LOR 15°: 64% / 25°: 65% / 38°: 68% / 60°: 70%)
Mini 64mm - 110mm (LOR 15°: 65% / 25°: 68% / 38°: 70% / 60°: 69%)
Midi 86mm - 162mm (LOR 15°: 82% / 25°: 84% / 38°: 85% / 60°: 88%)
Maxi 91mm - 162mm (LOR 15°: 82% / 25°: 84% / 38°: 85% / 60°: 88%)

Cutout Dimensions (ø)	-
IP	20

Light Source

Lumen output	From 960lm to 4790lm
Power	8W, 15W, 25W, 30W

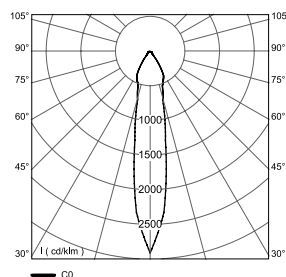
Optics

Light controller type	Reflector
Light emission beam	15°, 24°, 38°, 60°
CRI	80+, 90+

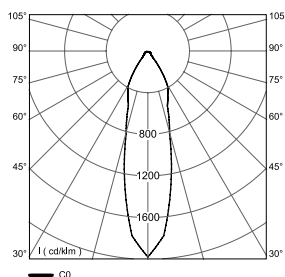
Electrical Equipment

Mains voltage (V)	24
Dimming Type	On/Off, Dali, 1-10V, Phase Dimming

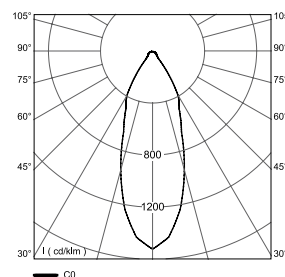
Polar Curves & LOR



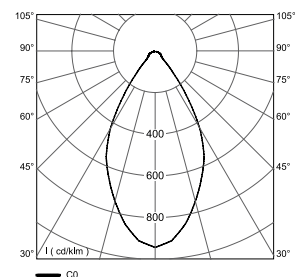
Beam Angle 15°



Beam Angle 25°

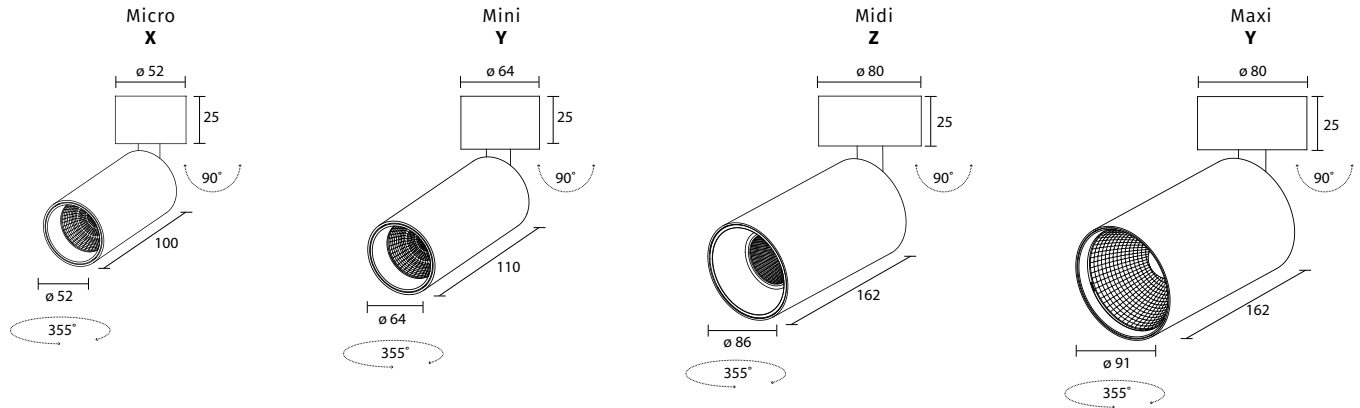


Beam Angle 38°



Beam Angle 60°

Odin / R Surface Solo



Product Reference:

Designation	CCT	LED Luminous Output								Product Code*
		Micro X		Mini Y		Midi Z		Micro W		
		Power 8W		Power 15W		Power 25W		Power 30W		
		CRI								
		80	90	80	90	80	90	80	90	
OP0 F U	2700 K	1150lm	960lm	1960lm	1635lm	3345lm	2785lm	4300lm	3580lm	OP0FU.A27.B.CDE
OP0 F U	3000 K	1200lm	1000lm	2040lm	1700lm	3480lm	2895lm	4475lm	3725lm	OP0FU.A30.B.CDE
OP0 F U	4000 K	1250lm	1070lm	2120lm	1825lm	3615lm	3100lm	4650lm	3985lm	OP0FU.A40.B.CDE
OP0 F U	5000 K	1290lm	1090lm	2190lm	1850lm	3725lm	3165lm	4790lm	4070lm	OP0FU.A50.B.CDE

* Check the below table to build the code

CRI	A	CCT	-	POWER	B	BEAM ANGLE	C	DIMMING	D	FINISH	E	SIZE	F
80+	8	2700K	27	18W	18	15°	1	On/Off	1	Black	1	Micro	X
90+	9	3000K	30	24W	24	25°	2	Dali	2	Grey	2	Mini	Y
		4000K	40	32W	32	38°	3	1-10V	3	White	3	Midi	Z
		5000K	50	36W	36	60°	4	Phase	4	Custom	4	Maxi	W

Product Code: