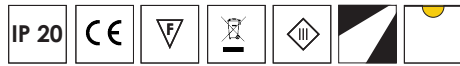


# Odin / S Surface Duo



A surface mounted fixture, with a double extended adjustable light heads, designed for indoor spaces in a round die cast aluminum housing. This product is available in 2 different sizes.



## Luminaire

Product type Downlight  
 Material Diecast Aluminum / PMMA Cover  
 Finish White, Grey, Black, Custom

## Installation

Environment Outdoor  
 Ceiling Type Gypsum, wood  
 Mounting Recessed  
 Dimensions (ø-H) **Micro** 52mm - 110mm (LOR 15°: 64% / 25°: 65% / 38°: 68% / 60°: 70%)  
**Mini** 65mm - 110mm (LOR 15°: 82% / 25°: 84% / 38°: 85% / 60°: 88%)  
 Cutout Dimensions (ø) -  
 IP 20

## Light Source

From 1920lm to 4380lm  
 Lumen output 16W, 30W  
 Power

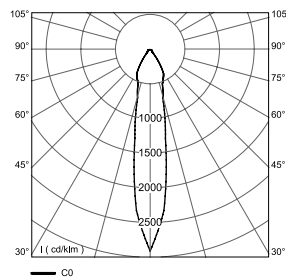
## Optics

Light controller type Reflector  
 Light emission beam 15°, 25°, 38°, 60°  
 CRI 80+, 90+

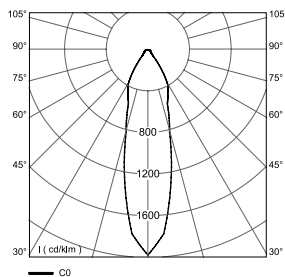
## Electrical Equipment

Mains voltage (V) 24  
 Dimming Type On/Off, Dali, 1-10V, Phase Dimming

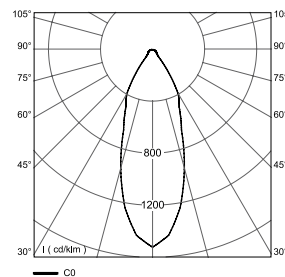
## Polar Curves & LOR



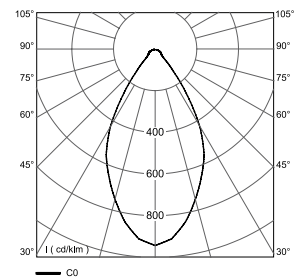
Beam Angle 15°



Beam Angle 25°

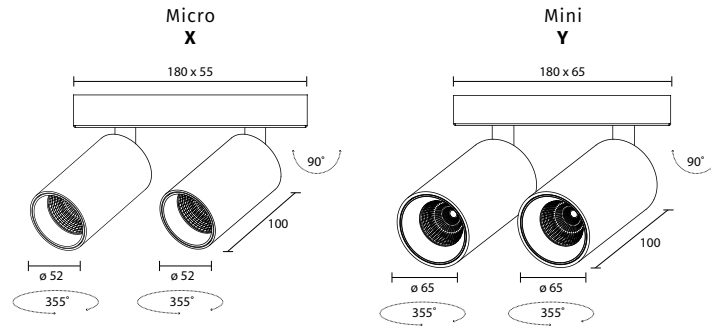


Beam Angle 38°



Beam Angle 60°

# Odin / S Surface Duo



## Product Reference:

Designation	CCT	LED Luminous Output				Product Code*
		Power 8Wx2		Power 15W x 2		
		CRI				
		80	90	80	90	
<b>OQ0FR</b>	<b>2700 K</b>	2300lm	1920lm	3920lm	3270lm	<b>OQ0FR.A27.B.CDE</b>
<b>OQ0FR</b>	<b>3000 K</b>	2400lm	2000lm	4080lm	3400lm	<b>OQ0FR.A30.B.CDE</b>
<b>OQ0FR</b>	<b>4000 K</b>	2500lm	2140lm	4240lm	3650lm	<b>OQ0FR.A40.B.CDE</b>
<b>OQ0FR</b>	<b>5000 K</b>	2580lm	2180lm	4380lm	3700lm	<b>OQ0FR.A50.B.CDE</b>

\* Check the below table to build the code

CRI	A	CCT	-	POWER	B	BEAM ANGLE	C	DIMMING	D	FINISH	E	SIZE	F
80+	8	2700K	27	16W	16	15°	1	On/Off	1	Black	1	Mirco	X
90+	9	3000K	30	30W	30	25°	2	Dali	2	Grey	2	Mini	Y
		4000K	40			38°	3	1-10V	3	White	3		
		5000K	50			60°	4	Phase	4	Custom	4		

## Product Code: