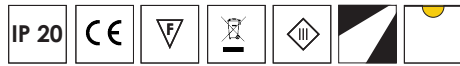


# Odin / S Surface Trio



A surface mounted fixture, with a triple extended adjustable light heads, designed for indoor spaces in a round die cast aluminum housing. This product is available in 2 different sizes.



## Luminaire

Product type Downlight  
 Material Diecast Aluminum / PMMA Cover  
 Finish White, Grey, Black, Custom

## Installation

Environment Outdoor  
 Ceiling Type Gypsum, wood  
 Mounting Recessed  
 Dimensions (ø-H) **Micro** 52mm - 110mm (LOR 15°: 64% / 25°: 65% / 38°: 68% / 60°: 70%)  
**Mini** 65mm - 110mm (LOR 15°: 82% / 25°: 84% / 38°: 85% / 60°: 88%)  
 Cutout Dimensions (ø) -  
 IP 20

## Light Source

From 2880lm to 6570lm  
 Lumen output 24W, 45W  
 Power

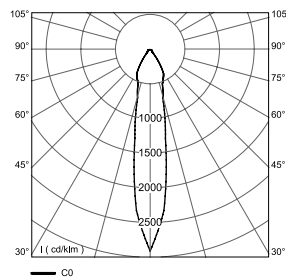
## Optics

Light controller type Reflector  
 Light emission beam 15°, 25°, 38°, 60°  
 CRI 80+, 90+

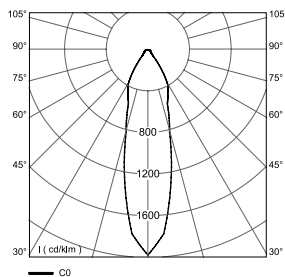
## Electrical Equipment

Mains voltage (V) 24  
 Dimming Type On/Off, Dali, 1-10V, Phase Dimming

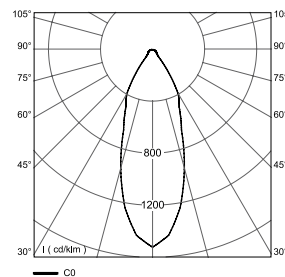
## Polar Curves & LOR



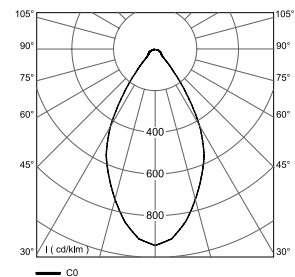
Beam Angle 15°



Beam Angle 25°

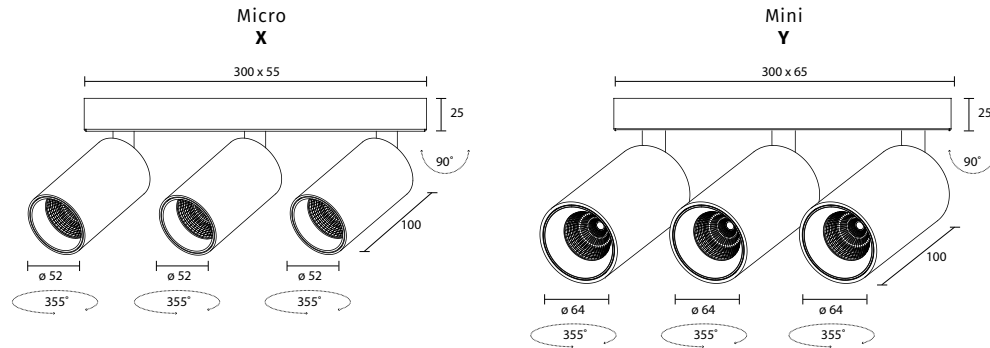


Beam Angle 38°



Beam Angle 60°

# Odin / S Surface Trio



## Product Reference:

| Designation    | CCT           | LED Luminous Output |        |             |        | Product Code*                        |
|----------------|---------------|---------------------|--------|-------------|--------|--------------------------------------|
|                |               | Power 8Wx3          |        | Power 15Wx3 |        |                                      |
|                |               | CRI                 |        |             |        |                                      |
|                |               | 80                  | 90     | 80          | 90     |                                      |
| <b>OQ0 F G</b> | <b>2700 K</b> | 3450lm              | 2880lm | 5880lm      | 4905lm | <b>O Q 0 F G . A 2 7 . B . C D E</b> |
| <b>OQ0 F G</b> | <b>3000 K</b> | 3600lm              | 3000lm | 6120lm      | 5100lm | <b>O Q 0 F G . A 3 0 . B . C D E</b> |
| <b>OQ0 F G</b> | <b>4000 K</b> | 3750lm              | 3210lm | 6360lm      | 5475lm | <b>O Q 0 F G . A 4 0 . B . C D E</b> |
| <b>OQ0 F G</b> | <b>5000 K</b> | 3870lm              | 3270lm | 6570lm      | 5550lm | <b>O Q 0 F G . A 5 0 . B . C D E</b> |

\* Check the below table to build the code

| CRI | A | CCT   | -  | POWER | B  | BEAM ANGLE | C | DIMMING | D | FINISH | E | SIZE  | F |
|-----|---|-------|----|-------|----|------------|---|---------|---|--------|---|-------|---|
| 80+ | 8 | 2700K | 27 | 16W   | 16 | 15°        | 1 | On/Off  | 1 | Black  | 1 | Micro | X |
| 90+ | 9 | 3000K | 30 | 30W   | 30 | 25°        | 2 | Dali    | 2 | Grey   | 2 | Mini  | Y |
|     |   | 4000K | 40 |       |    | 38°        | 3 | 1-10V   | 3 | White  | 3 |       |   |
|     |   | 5000K | 50 |       |    | 60°        | 4 | Phase   | 4 | Custom | 4 |       |   |

## Product Code: