

Spirea / R Solo



A recessed fixture, that provides a bidirectional gimbal mechanism. Designed for indoor spaces in a die-cast aluminum housing. R Solo is designed to deliver a high level of glare-free visual comfort.



Luminaire

Product type	Downlight
Material	Diecast Aluminum / PMMA Cover
Finish	White, Grey, Black, Custom
Maximum rotation	355°
Maximum tilt	30°

Installation

Environment	Indoor
Ceiling Type	Gypsum, wood
Mounting	Recessed
Dimensions (ø-h)	120mm - 76mm
Cutout Dimensions (ø)	105mm
IP	44

Light Source

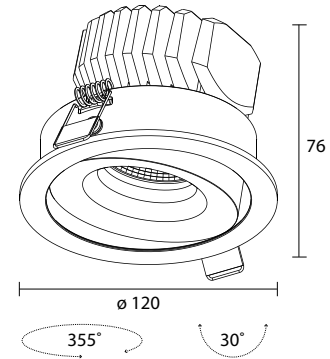
Lumen output	From 1000lm to 2440lm
Power	9W, 12W, 16W, 18W

Optics

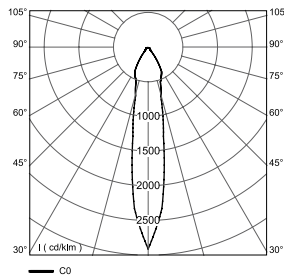
Light controller type	Reflector
Light emission beam	15°, 25°, 38°, 60°
CRI	80+, 90+

Electrical Equipment

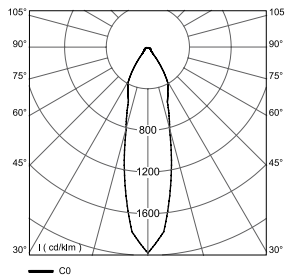
Mains voltage (V)	24
Dimming Type	On/Off, Dali, 1-10V, Phase Dimming



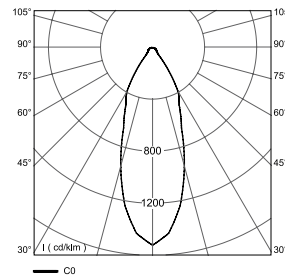
Polar Curves & LOR



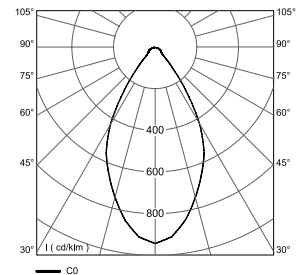
Beam Angle 15°
LOR: 75%



Beam Angle 25°
LOR: 79%



Beam Angle 38°
LOR: 80%



Beam Angle 60°
LOR: 82%

Spirea / R Solo



Product Reference:

Designation	CCT	LED Luminous Output								Product Code*
		Power 9W		Power 12W		Power 16W		Power 18W		
		CRI								
		80	90	80	90	80	90	80	90	
SR12S	2700 K	1200lm	1000lm	1630lm	1360lm	1960lm	1365lm	2180lm	1815lm	SR12S.A27.B.CDE
SR12S	3000 K	1250lm	1040lm	1695lm	1415lm	2040lm	1700lm	2270lm	1900lm	SR12S.A30.B.CDE
SR12S	4000 K	1300lm	1115lm	1760lm	1515lm	2120lm	1825lm	2360lm	2025lm	SR12S.A40.B.CDE
SR12S	5000 K	1340lm	1135lm	1820lm	1535lm	2190lm	1850lm	2440lm	2055lm	SR12S.A50.B.CDE

* Check the below table to build the code

CRI	A	CCT	-	POWER	B	BEAM ANGLE	C	DIMMING	D	FINISH	E
80+	8	2700K	27	9W	09	15°	1	On/Off	1	Black	1
90+	9	3000K	30	12W	12	25°	2	Dali	2	Grey	2
		4000K	40	16W	16	38°	3	1-10V	3	White	3
		5000K	50	18W	18	60°	4	Phase	4	Custom	4

Product Code: