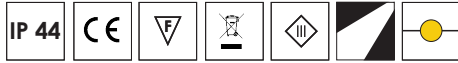


Spirea / R Trio



A recessed fixture, with triple gimbals that provide a bidirectional mechanism. Designed for indoor spaces in a die-cast aluminum housing. R Trio is designed to deliver a high level of glare-free visual comfort.



Luminaire

Product type	Downlight
Material	Diecast Aluminum / PMMA Cover
Finish	White, Grey, Black, Custom
Maximum rotation	355°
Maximum tilt	30°



Installation

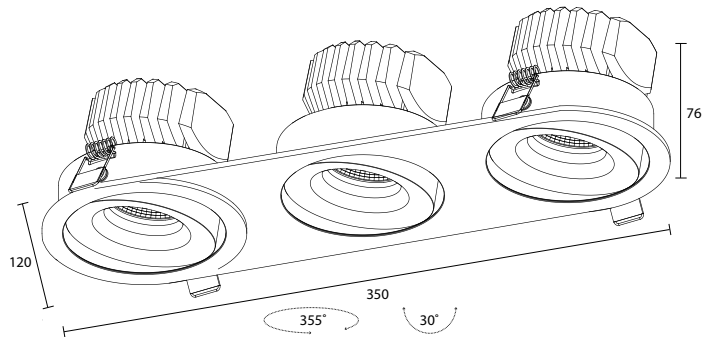
Environment	Indoor
Ceiling Type	Gypsum, wood
Mounting	Recessed
Dimensions (L x W - H)	350mm x 120mm - 76mm
Cutout Dimensions (φ)	3 x 105mm
IP	44

Light Source

Lumen output	From 3000lm to 7320lm
Power	27W, 36W, 48W, 54W

Optics

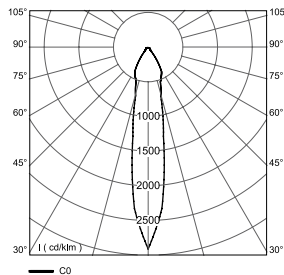
Light controller type	Reflector
Light emission beam	15°, 25°, 38°, 60°
CRI	80+, 90+



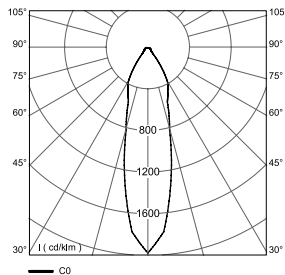
Electrical Equipment

Mains voltage (V)	24
Dimming Type	On/Off, Dali, 1-10V, Phase Dimming

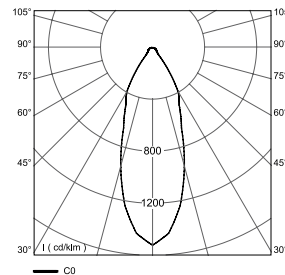
Polar Curves & LOR



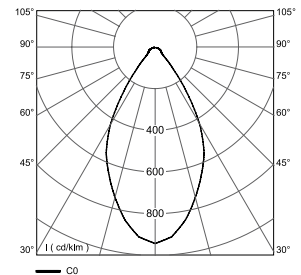
Beam Angle 15°
LOR: 75%



Beam Angle 25°
LOR: 79%



Beam Angle 38°
LOR: 80%



Beam Angle 60°
LOR: 82%

Spirea / R Trio



Product Reference:

Designation	CCT	LED Luminous Output								Product Code*
		Power 9Wx3		Power 12Wx3		Power 16Wx3		Power 18Wx3		
		CRI								
		80	90	80	90	80	90	80	90	
SR12T	2700 K	3600lm	3000lm	4890lm	4080lm	5880lm	4095lm	6540lm	5445lm	SR12T.A27.B.CDE
SR12T	3000 K	3750lm	3120lm	5085lm	4245lm	6120lm	5100lm	6810lm	5700lm	SR12T.A30.B.CDE
SR12T	4000 K	3900lm	3345lm	5280lm	4545lm	6360lm	5475lm	7080lm	6075lm	SR12T.A40.B.CDE
SR12T	5000 K	4020lm	3405lm	5460lm	4605lm	6570lm	5550lm	7320lm	6165lm	SR12T.A50.B.CDE

* Check the below table to build the code

CRI	A	CCT	-	POWER	B	BEAM ANGLE	C	DIMMING	D	FINISH	E
80+	8	2700K	27	27W	27	15°	1	On/Off	1	Black	1
90+	9	3000K	30	36W	36	25°	2	Dali	2	Grey	2
		4000K	40	48W	48	38°	3	1-10V	3	White	3
		5000K	50	54W	54	60°	4	Phase	4	Custom	4

Product Code: