

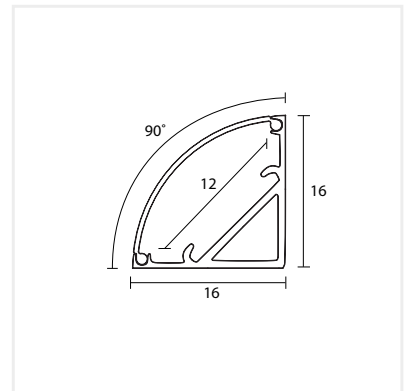
Corner 16

Designed for various applications, the extruded anodized aluminum profile is durable and corrosion-resistant. The profile cover is high resistance polycarbonate with milky or clear finish.



Specifications

Material	Aluminum
Body Finish	Anodized
Mounting Type	Corner
Cover	Milky / Clear
Dimensions (LxWxH)	2000 x 16 x 16mm
PCB Width Limit	12mm
Accessories	4 x Endcap 4 x Fit Clip



Cover Type	Product Code
Milky	AP501AM

Clear	AP501AC
-------	----------------

Accessory	Accessory Code
Suspension Kit*	AP-SKIT

*Suspension Kit to be ordered separately