

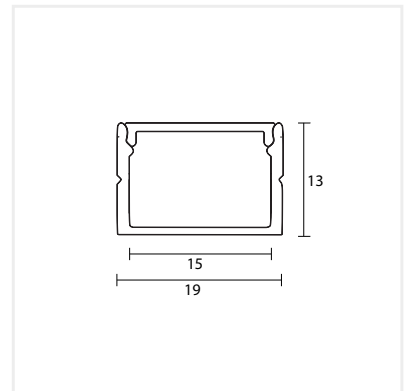
Surface 19

Designed for various applications, the extruded anodized aluminum profile is durable and corrosion-resistant. The profile cover is high resistance polycarbonate with milky or clear finish.



Specifications

Material	Aluminum
Body Finish	Anodized
Mounting Type	Surface Mounted
Cover	Milky / Clear
Dimensions (LxWxH)	2000 x 19 x 13mm
PCB Width Limit	15mm
Accessories	4 x Endcap 4 x Fit Clip



Cover Type	Product Code
Milky	AP516M
Clear	AP516C