

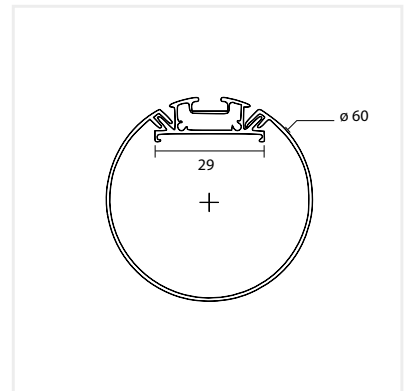
Pendant 60

Designed for various applications, the extruded anodized aluminum profile is durable and corrosion-resistant. The profile cover is high resistance polycarbonate with milky or clear finish.



Specifications

Material	Aluminum
Body Finish	Anodized
Mounting Type	Pendant
Cover	Milky / Clear
Dimensions (Lxø)	2000 x ø60mm
PCB Width Limit	-
Accessories	4 x Endcap 4 x Suspension Kit



Cover Type	Product Code
Milky	AP600M

Clear	AP600C
-------	---------------

Accessory	Accessory Code
Suspension Kit*	AP-SKIT

*Suspension Kit to be ordered separately