

# Surface / Pendant 50

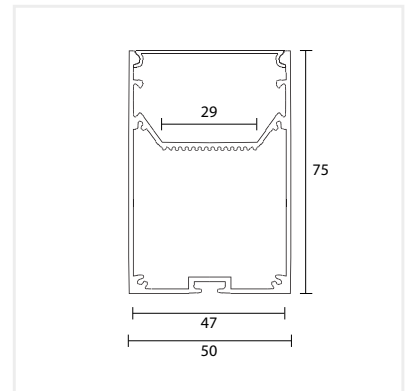
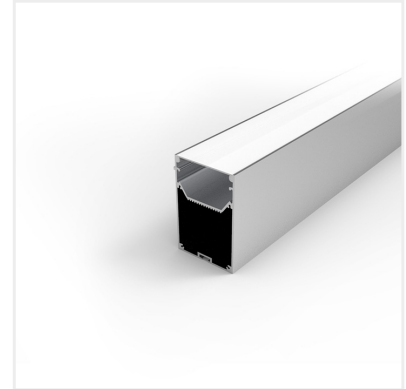


Designed for various applications, the extruded anodized aluminum profile is durable and corrosion-resistant. The profile cover is high resistance polycarbonate with milky or clear finish.



## Specifications

Material	Aluminum
Body Finish	Anodized
Mounting Type	Surface Mounted / Pendant
Cover	Milky / Clear
Dimensions (LxWxH)	2000 x 50 x 75mm
PCB Width Limit	-
Accessories	4 x Endcap 4 x Suspension Kit 2 x Alignment Bracket-Linear 2 x Alignment Bracket-Elbow



Cover Type	Product Code
Milky	<b>AP607M</b>

Clear	<b>AP607C</b>
-------	---------------

Accessory	Accessory Code
Suspension Kit*	<b>AP-SKIT</b>

\*Suspension Kit to be ordered separately