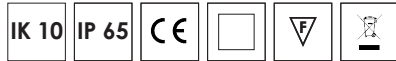


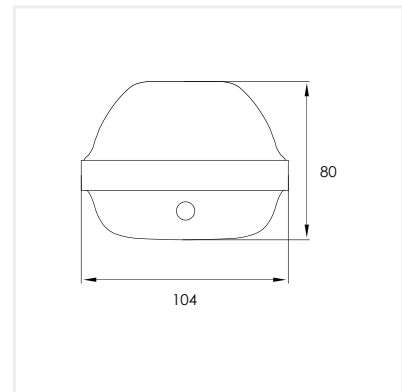
# Flog / Maxi 150

Designed for rough environments that require high durability general lighting, providing uniform light distribution. The protected luminaire will resist humidity, water, dust, & extreme high/low temperatures.



## Specifications

Material	Polycarbonate		
Mounting Type	Surface Mounted		
Dimensions (LxWxH)	1500 x 104 x 80mm		
Input Voltage	220-240V		
Power	35W		
CRI	70+		
CCT	3000K	4000K	6000K
Luminaire Lumen Output	3450lm	3500lm	3600lm



<b>CCT</b>	<b>A</b>	<b>Motion Sensor</b>	<b>B</b>	<b>Emergency</b>	<b>C</b>
3000K	<b>30</b>	Without	<b>0</b>	Without	<b>0</b>
4000K	<b>40</b>	With	<b>1</b>	1.5hrs	<b>2</b>
6000K	<b>60</b>			3hrs	<b>3</b>

## Product Code

