

LED Panel

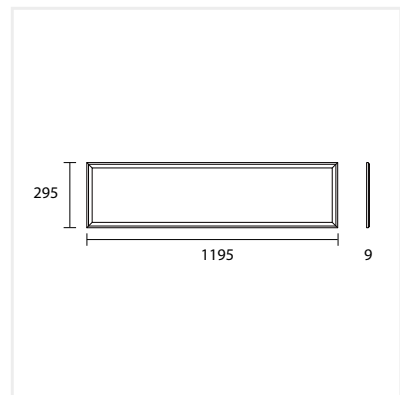


A variation of low glare LED panels, ideal for multifunctional areas in offices and commercial buildings. The diffuser offers complete uniformity for ambient lighting. The fixture can be ceiling mounted or recessed.



Specifications

Body Material	Aluminum
Dimensions (LxW)	1195x295mm
Thickness	9mm
Voltage	220-240V
Frequency	50/60 Hz
Power	48W
CRI	80+
Beam Angle	112°



Designation	CCT	LED Luminous Output		Product Code*
		Power 48W		
		CRI 80+		
		Opal	Micro prismatic	
LP48	3000 K	4750lm	4990lm	LP48.122.312.830.145.AB
LP48	4000 K	4800lm	5040lm	LP48.122.312.840.145.AB
LP48	6000 K	4900lm	5140lm	LP48.122.312.860.145.AB

CCT	A	DIFFUSER	B	DIMMING	C
3000K	30	Opal	O	On/Off	1
4000K	40	Microprismatic	P	Dali	2
6000K	60			1-10V	3

Product Code:

