

LED Panel

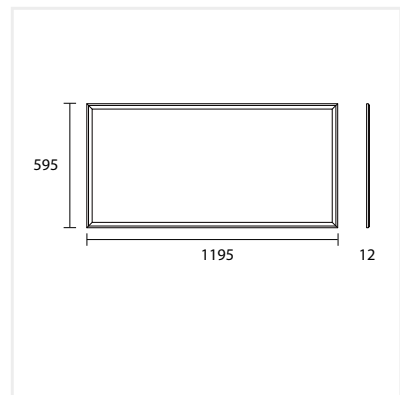


A variation of low glare LED panels, ideal for multifunctional areas in offices and commercial buildings. The diffuser offers complete uniformity for ambient lighting. The fixture can be ceiling mounted or recessed.



Specifications

Body Material	Aluminum
Dimensions (LxW)	595x1195mm
Thickness	12mm
Voltage	220-240V
Frequency	50-60Hz
Power	60W
CRI	80+
Beam Angle	112°



Designation	CCT	LED Luminous Output		Product Code*
		Power 60W	CRI 80+	
		Opal	Micro prismatic	
LP60	3000 K	5950lm	6250lm	LP60.230.612.830.154.AB
LP60	4000 K	6000lm	6300lm	LP60.230.612.840.154.AB
LP60	6000 K	6100lm	6400lm	LP60.230.612.860.154.AB

CCT	A
3000K	30
4000K	40
6000K	60

DIFFUSER	B
Opal	O
Microprismatic	P

DIMMING	C
On/Off	1
Dali	2
1-10V	3

Product Code:

