

# LED Panel

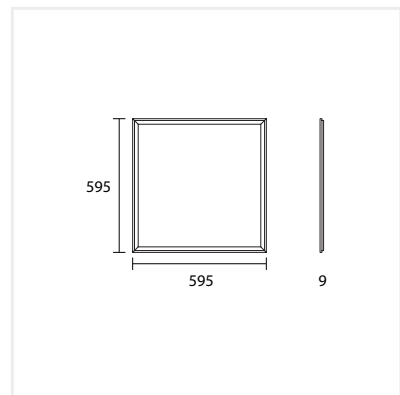
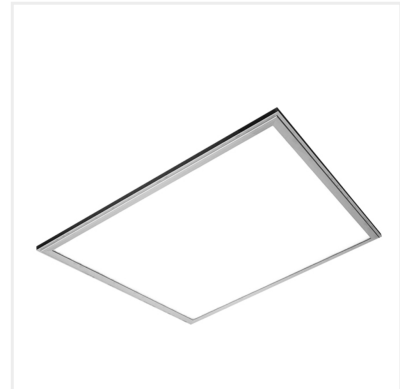


A variation of low glare LED panels, ideal for multifunctional areas in offices and commercial buildings. The diffuser offers complete uniformity for ambient lighting. The fixture can be ceiling mounted or recessed.



## Specifications

Body Material	Aluminum
Dimensions (LxW)	595x595mm
Thickness	9mm
Voltage	220-240V
Frequency	50-60Hz
Power	48W
CRI	80+
Beam Angle	112°



Designation	CCT	LED Luminous Output		Product Code*
		Power 48W		
		<b>CRI 80+</b>		
		Opal	Micro prismatic	
<b>LP48</b>	<b>3000 K</b>	4750lm	4990lm	<b>LP48.222.60.830.352.AB</b>
<b>LP48</b>	<b>4000 K</b>	4800lm	5040lm	<b>LP48.222.60.840.352.AB</b>
<b>LP48</b>	<b>6000 K</b>	4900lm	5140lm	<b>LP48.222.60.860.352.AB</b>

CCT	A
3000K	30
4000K	40
6000K	60

DIFFUSER	B
Opal	O
Microprismatic	P

DIMMING	C
On/Off	1
Dali	2
1-10V	3

Product Code:

