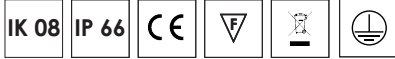


# Facto



Designed for rough environments that require high durability general lighting, providing uniform light distribution. The protected luminaire will resist humidity, water, dust, & extreme high/low temperatures.



## Specifications

### Luminaire

Product type	Protected Luminaire
Housing Material	Polycarbonate with Stainless Steel Clips
Diffuser Material	Polycarbonate
Finish	Grey

### Installation

Environment	Outdoor - Indoor
Mounting	Ceiling Mounted - Wall Mounted
Dimensions(WxH)	97x82mm
Ambient Temperature	-20°C ~ 35°C
IP Rating	66
Glowing Wire Test	850°C

### Light Source

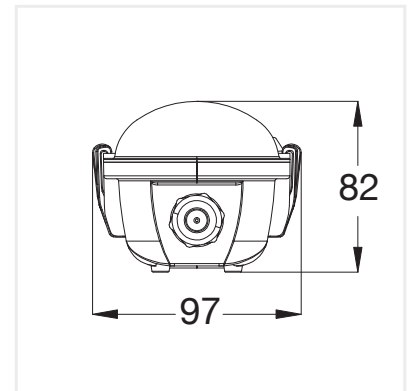
CCT	3000K - 4000K - 5000K - 5700K - 6500K
CRI	80+

### Optics

Light Emission Beam	120°
Optic Type	Opal diffuser

### Electrical Equipment

Driver	Built-in
Mains voltage (V)	220-240VAC, 50/60Hz
Dimming Type	On/Off, DALI



MICRO 650mm      MIDI 1220mm      MAXI 1560mm

	MICRO 650mm			MIDI 1220mm			MAXI 1560mm		
Power (W)	20	20	36	45	36	54	65		
Lumen Output (lm)	2377	2431	4666	5371	4653	6746	7733		

POWER	A	DIMENSIONS	B	CCT	C	DIMMING	D	MOTION SENSOR	E	EMERGENCY	F
20W	20	650	60	3000K	30	ON/OFF	1	WITHOUT	0	WITHOUT	0
36W	36	1220	120	4000K	40	DALI	2	WITH	1	3HRS	3
45W	45	1560	150	5000K	50						
54W	54			5700K	57						
65W	65			6500K	65						

Product Code:

Order Code:

**Optional Accessories:**

Code	Description
FTO.A.P.150	<b>1500mm Suspension Kit</b>
FTO.A.P.500	<b>5000mm Suspension Kit</b>