

Flex Mark - IP67



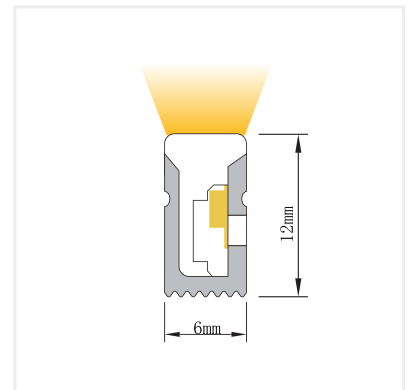
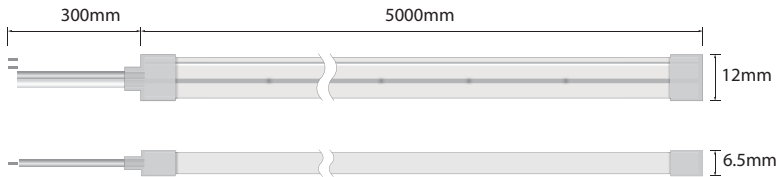
A flexible light source that can be used for decoration, guidance lighting, or architectural and interior outlines providing high-performance color render and consistency. Arlus Flex Mark is available in a variety of options all waterproof and anti-dust strips that allow versatile outdoor applications with high impact resistance.



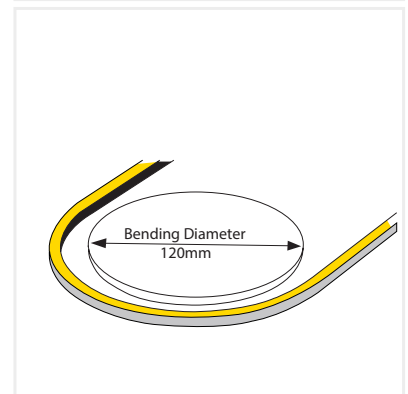
Specifications

Luminaire

Product type	Neon Flex
Material	Silicone
Bending Type	Horizontal
Dimensions(WxH)	6x12mm
Bending Diameter	120mm
Maximum Running Length	5m, 18m* (for monocolor)
Power	10W/m
CRI	80 - 90 (for monocolor)
Driver	Remote
Mains voltage (V)	24VDC
Dimming Type	On/Off, DALI, 1-10V
Ambient Temperature	-25°C - 55°C



	Lumen Output(lm)					Unit Cut
	2700K	3000K	3500K	4000K	5500K	(mm)
Monocolor	400	435	438	413	416	50
Tunable White	2700K + 5300K					50
RGB	148					62.5



CRI	A	CCT	-	DIMMING	B
80+	8	2700K	27	ON/OFF	1
90+	9	3000K	30	DALI	2
		3500K	35	1-10V	3
		4000K	40		
		5500K	55		
		2700K+5300K	2753		
		RGB	RGB		





Product Code:

Order Code:





*Power in code will be followed by the letter " S " for Longer Running Length Option

info@arlus.com - www.arlus.com





Accessories:

Code	Description	
FMH.AP.612.100	Aluminum Profile Dimensions (LxWxH): 1000x8x13mm Color: Silver	
FMH.AC.048	Stainless Steel Mounting Clip Dimensions (LxWxH): 15x7.2x12.8mm Color: Silver	
FMH.AEE.T612	Closed End Cap Dimensions (WxH): 8.5x14.5mm Material: Stainless Steel Color: Silver	
FM.ASCI	Scissors	

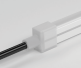


Connectors for Monocolor:

Code	Description	
FMH.FEC2.612	Front End Cap 2PIN Dimensions (WxH): 8.5x14.5mm Color: Transparent	
FMH.SEC2.612	Side End Cap 2PIN Dimensions (WxH): 8.5x14.5mm Color: Transparent	
FMH.BEC2.612	Bottom End Cap 2PIN Dimensions (WxH): 8.5x14.5mm Color: Transparent	
FM.ACON.252.67	IP67 Connector 2PIN Wire Gauge: 0.519mm ²	

Connectors for Tunable White:

Code	Description	
FMH.FEC3.612	Front End Cap 3PIN Dimensions (WxH): 8.5x14.5mm Color: Transparent	
FMH.SEC3.612	Side End Cap 3PIN Dimensions (WxH): 8.5x14.5mm Color: Transparent	
FMH.BEC3.612	Bottom End Cap 3PIN Dimensions (WxH): 8.5x14.5mm Color: Transparent	
FM.ACON.253.67	IP67 Connector 3PIN Wire Gauge: 0.519mm ²	

Connectors for RGB:

Code	Description	
FMH.FEC4.612	Front End Cap 4PIN Dimensions (WxH): 8.5x14.5mm Color: Transparent	
FMH.SEC4.612	Side End Cap 4PIN Dimensions (WxH): 8.5x14.5mm Color: Transparent	
FMH.BEC4.612	Bottom End Cap 4PIN Dimensions (WxH): 8.5x14.5mm Color: Transparent	
FM.ACON.254.67	IP67 Connector 4PIN Wire Gauge: 0.519mm ²	