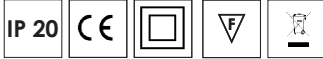


# LED Panel - IP20

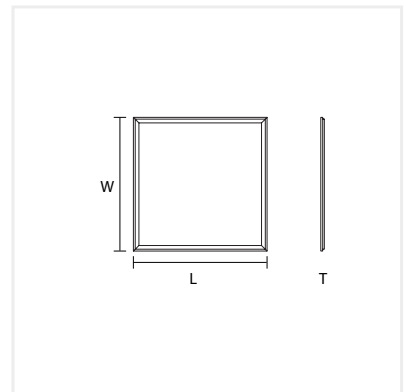
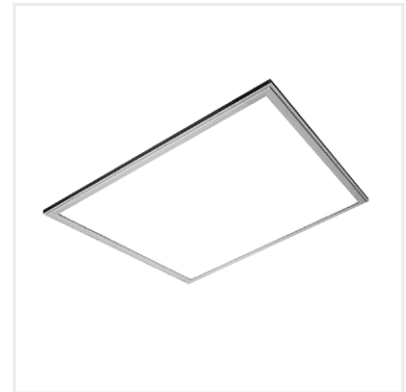


A variation of low glare LED panels, ideal for multifunctional areas in offices and commercial buildings. The diffuser offers complete uniformity for ambient lighting. The fixture can be ceiling mounted or recessed.



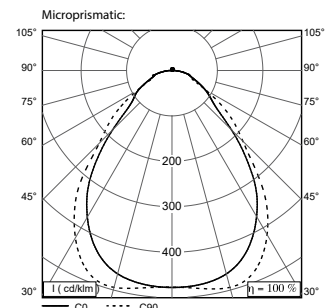
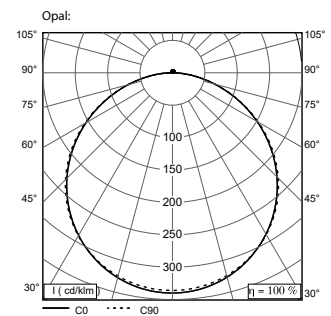
## Specifications

Body Material	Aluminum
Body Finish	White
LGP	PMMA - PS
Mounting Type	Lay in
Voltage	220-240VAC
Frequency	50-60Hz
CRI	80+
CCT	3000K - 4000K - 6000K
Lumen Efficacy	100 LM/W - 120 LM/W (@4000K)
Beam Angle	112°
Diffuser Type	Opal - Prismatic
Dimming	On/Off, DALI, 1-10V



Power	<b>40W</b>	<b>48W</b>	<b>60W</b>
Dimensions	L x W x H (mm)		
	595 x 595 x 9	295 x 1195 x 9	595 x 595 x 12

LUMEN EFFICACY	A	POWER	B	DIMENSIONS	B	CCT	-
100 LM/W	1	40W	40	595 x 595 x 9	60	3000K	30
120 LM/W	2	48W	48	295 x 1195 x 9	312	4000K	40
		60W	60	595 x 1195 x 12	612	6000K	60



LGP	C	DIFFUSER	D	DIMMING	E	MOTION SENSOR	E	EMERGENCY	F
PMMA	0	OPAL	O	ON/OFF	1	WITHOUT	0	WITHOUT	0
PS	1	PRISMATIC	P	DALI	2	WITH	1	1.5HRS	2
				1-10V	3			3HRS	3

Product Code:

Order Code:

Accessories:

Code	Description
LP20.A60.S	<b>Surface Mounting Kit</b> for 595x595x9
LP20.A312.S	<b>Surface Mounting Kit</b> for 295x1195x9
LP20.A612.S	<b>Surface Mounting Kit</b> for 595x1195x12
LP20.A60.R	<b>T-Type Kit ( Frame + 4Springs) for Lay-Out Recessed Mounting</b> for 595x595x9
LP20.A312.R	<b>T-Type Kit ( Frame + 4Springs) for Lay-Out Recessed Mounting</b> for 295x1195x9
LP20.A612.R	<b>T-Type Kit ( Frame + 4Springs) for Lay-Out Recessed Mounting</b> for 595x1195x12
LP20.A.P.100	<b>Suspension Kit</b> 1m Suspension Cables
LP20.A.P.150	<b>Suspension Kit</b> 1.5m Suspension Cables
LP20.A.P.200	<b>Suspension Kit</b> 2m Suspension Cables