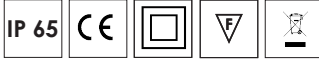


# LED Panel - IP65

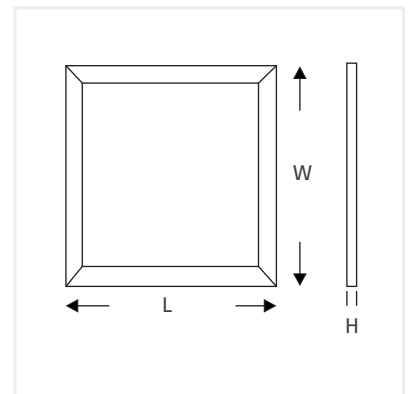
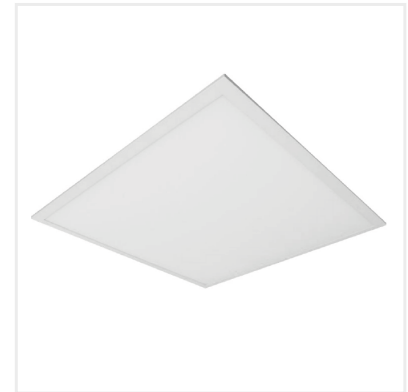


A variation of low glare LED panels, ideal for multifunctional areas in offices and commercial buildings. The diffuser offers complete uniformity for ambient lighting. The fixture can be ceiling mounted or recessed.



## Specifications

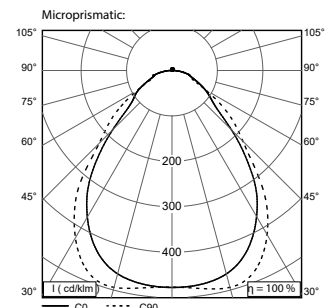
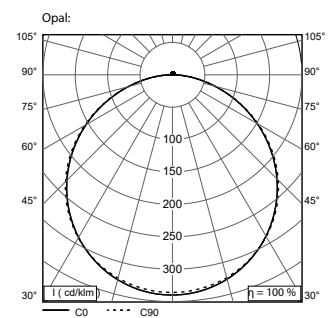
Body Material	Aluminum
Body Finish	White
LGP	PMMA
Mounting Type	Lay in
Thickness	12mm
Voltage	200 - 240V
Frequency	50 - 60Hz
CRI	80+
Beam Angle	112°
CCT	3000K, 4000K, 6000K
Lumen Efficacy	100 LM/W - 120 LM/W (@4000K)
Dimming	On/Off Dali*not available for 48W version 1-10V*not available for 48W version



Power	<b>40W</b>		<b>48W</b>	
Dimensions	L x W x H (mm)			
	595 x 595 x 12	295 x 1195 x 12	595 x 595 x 12	295 x 1195 x 12

LUMEN EFFICACY	<b>A</b>	POWER	<b>B</b>	DIMENSIONS	<b>B</b>	CCT	<b>-</b>
100 LM/W	<b>1</b>	40W	<b>40</b>	595 x 595 x 12	<b>60</b>	3000K	<b>30</b>
120 LM/W	<b>2</b>	48W	<b>48</b>	295 x 1195 x 12	<b>312</b>	4000K	<b>40</b>
						6000K	<b>60</b>

DIFFUSER	<b>D</b>	DIMMING	<b>E</b>	MOTION SENSOR	<b>E</b>	EMERGENCY	<b>F</b>
OPAL	<b>O</b>	ON/OFF	<b>1</b>	WITHOUT	<b>0</b>	WITHOUT	<b>0</b>
PRISMATIC	<b>P</b>	DALI	<b>2</b>	WITH	<b>1</b>	1.5HRS	<b>2</b>
		1-10V	<b>3</b>			3HRS	<b>3</b>



Product Code:

Order Code:

Accessories:

Code	Description
LP65.A60.S	<b>Surface Mounting Kit</b> for 595 x 595 x 12
LP65.A312.S	<b>Surface Mounting Kit</b> for 295 x 1195 x 12
LP65.A60.R	<b>T-Type Kit ( Frame + 4Springs) for Lay-Out Recessed Mounting</b> for 595 x 595 x 12
LP65.A312.R	<b>T-Type Kit ( Frame + 4Springs) for Lay-Out Recessed Mounting</b> for 295 x 1195 x 12
LP65.A.P.100	<b>Suspension Kit</b> 1m Suspension Cables
LP65.A.P.150	<b>Suspension Kit</b> 1.5m Suspension Cables
LP65.A.P.200	<b>Suspension Kit</b> 2m Suspension Cables