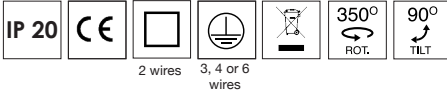


Bolt

A track mounted fixture, designed for indoor spaces in a circular die-cast aluminum housing. The light comes with an adapter for installation on mains electrified track. Bolt has an extended light head to tilt and turn in any direction. The fixture is available in 3 different sizes.



Specifications

Luminaire

Product Type	Track Spotlight
Material	Aluminum
Finish	Black, White
Type	Tiltable

Installation

Environment	Indoor
Mounting	One Circuit or Three Circuit Track
Track Compatibility	2, 3, 4, 6 Wires
IP	IP20
Operating Temperature	-20°C to 45°C

Light Source

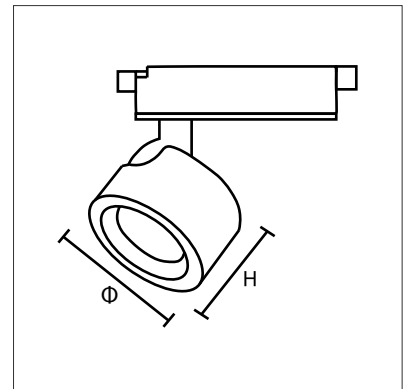
Light Source	COB
Power	12W, 20W, 30W
CRI	80+
CCT	2700K, 3000K, 4000K
MacAdam Step	3

Optics

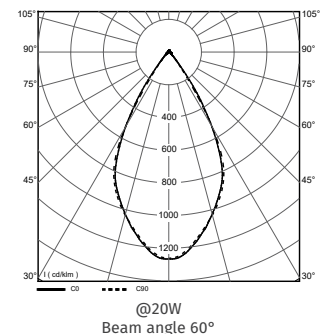
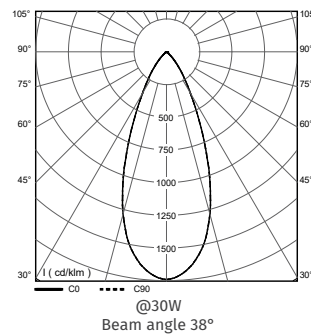
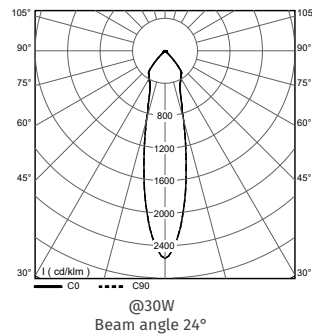
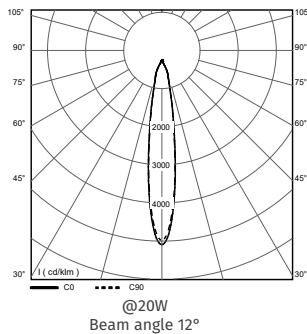
Light Controller Type	Reflector
Light Emission Beam	12°, 24°, 38°, 60°

Electrical Equipment

Driver	Built-In
Adaptor	Provided
Mains Voltage (V)	180-240 VAC, 50/60 Hz
Dimming Type	ON/OFF, DALI, 1-10V, Phase Dimming



Polar Curves



Bolt



Power (W)						
12		20		30		
Dimensions (mm)						
Φ	H	Φ	H	Φ	H	
85	52	102	64	122	75	
Luminaire Output						
2700K	1132 lm	1906 lm		2831 lm		
3000K	1192 lm	2007 lm		2980 lm		
4000K	1238 lm	2085 lm		3096 lm		

Product Configuration:

CCT	A	POWER	B	BEAM ANGLE	C	FINISH	D	DIMMING	E	CIRCUIT	F
2700K	27	12W	12	12°	12	BLACK	1	ON/OFF	1	1 CIRCUIT	1
3000K	30	20W	20	24°	24	WHITE	2	DALI	2	3 CIRCUITS	3
4000K	40	30W	30	38°	38			1-10V	3		
				60°	60			PHASE	4		

Product Code:

Order Code: